

PRODUCT INFORMATION PACKET

Model No: 5K46KN4125

Catalog No: K250

.75 HP General Purpose Motor, 3 phase, 1800 RPM, 208-230/460 V, 56C Frame, ODP
Three Phase ODP Motors



Regal and Marathon are trademarks of Regal Beloit Corporation or one of its affiliated companies.
©2020 Regal Beloit Corporation, All Rights Reserved. MC017097E

REGAL

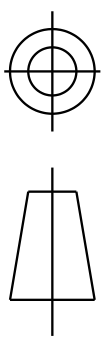
Nameplate Specifications

Output HP	0.75 Hp	Output KW	0.56 kW
Frequency	60 Hz	Voltage	208-230/460 V
Current	3.3-3.0 A	Speed	1725 rpm
Service Factor	1.25	Phase	3
Efficiency	0 %	Power Factor	0
Duty	Continuous	Insulation Class	B
KVA Code	K	Frame	56C
Enclosure	Drip Proof	Thermal Protection	N/R
Ambient Temperature	40 °C	Drive End Bearing Size	6203
Opp Drive End Bearing Size	6203	UL	Recognized
CSA	Yes	CE	N

Technical Specifications

Electrical Type	Three Phase	Starting Method	N/R
Poles	4	Rotation	Counterclockwise/Clockwise
Mounting	N/R	Motor Orientation	ANY
Drive End Bearing	LOCKED	Opp Drive End Bearing	BALL
Frame Material	Rolled Steel	Overall Length	10.73 in
Frame Length	6.55 in	Shaft Extension	.625 X 1.88 - .188 X .188 KEY in
Outline Drawing	52A109648P1	Connection Drawing	113A930FIG2

This is an uncontrolled document once printed or downloaded and is subject to change without notice. Date Created:02/11/2020



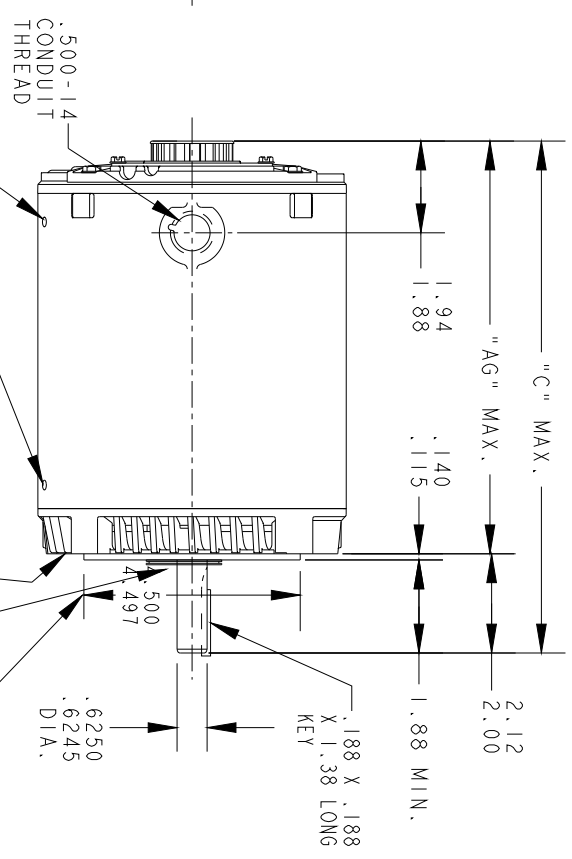
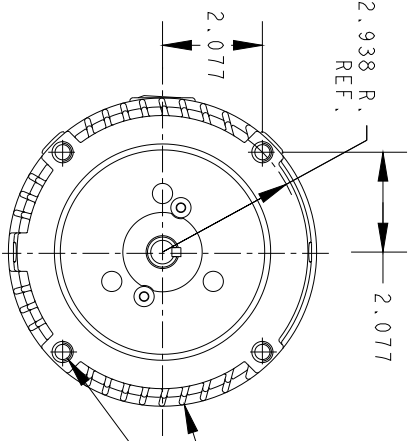
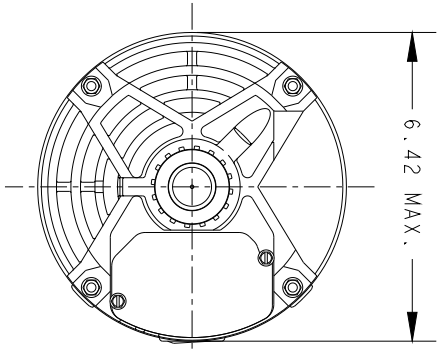
THIRD ANGLE PROJECTION

52A109648

DRAWING NO.

A

REVISIONS		DATE	APPROVED
REV.	DESCRIPTION	DATE	APPROVED
3	ADDED PT#5 PER DS05-0574.	05/04/05	K.P.G
4	CHG TO RBC FORMAT PER IS05-1777	03/22/06	SUDHA
5	"SLINGER" ADDED PER IS11-5514	12/01/2012	KOTI



VIEW OF P.E. END SHIELD

.375-16UNC-2B (4 HOLES) .70 MIN. FULL THREAD. THESE HOLES FIT A GAGE HAVING A RABBET 4.5005 DIA. AND 4 PINS .2917 DIA. LOCATED ON THE BASIC HOLE POSITION

ALL DIMENSIONS ARE IN INCHES

5	4	3	2	1	P
K	K	K	K	K	TYPE
49	49	48	49	46	GE SIZE
56C	56C	56C	56C	56C	NEMA FR.
13.81	9.52	12.61	11.33	10.73	"C"
11.69	7.40	10.49	9.21	8.61	"AG"
					MIN. SHELL

SIGNATURES		DATE
MODEL	M.D.PAPE	07/14/94
DETAIL		
CHECKED		
ENGRG		
MFG		
QUALITY		
ISSUED	M.D.PAPE	07/14/94
APPLIED PRACTICES		
FOR ADDITIONAL INFO REFER TO:		
MATERIAL	SOLID MODEL: 52A109648	



REGAL-BELOTT CORPORATION

OUTLINE

GENERAL PURPOSE MOTOR - DRIP PROOF - BALL BEARING R2 END MOUNTED FMF - 40 FRAME REDESIGN

52A109648

SCALE: 0.250 REF. No:

SHEET 1 of 1

This document is the property of REGAL-BELOIT CORPORATION ("RBC") including its subsidiaries and divisions and contains proprietary information of RBC. This document is loaned on the express condition that neither the recipient nor any other person shall be permitted to disclose or disseminate the information contained herein and that the recipient shall be held responsible for the return of this document to RBC upon request. This document shall be restricted to RBC upon its receipt control laws and regulations.

REV.	DESCRIPTION	DATE	APPROVED
1	CHG TO RBC FORMAT PER IS05-1777	06/15/06	MADHU
2	RENAMED 113A930-FIG-2 TO 113A930FIG2 PER IS07-0972	05/08/07	MADHU

REV.	DESCRIPTION	DATE	APPROVED
1	CHG TO RBC FORMAT PER IS05-1777	06/15/06	MADHU
2	RENAMED 113A930-FIG-2 TO 113A930FIG2 PER IS07-0972	05/08/07	MADHU

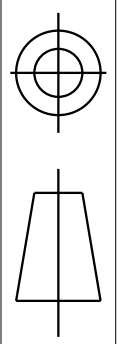
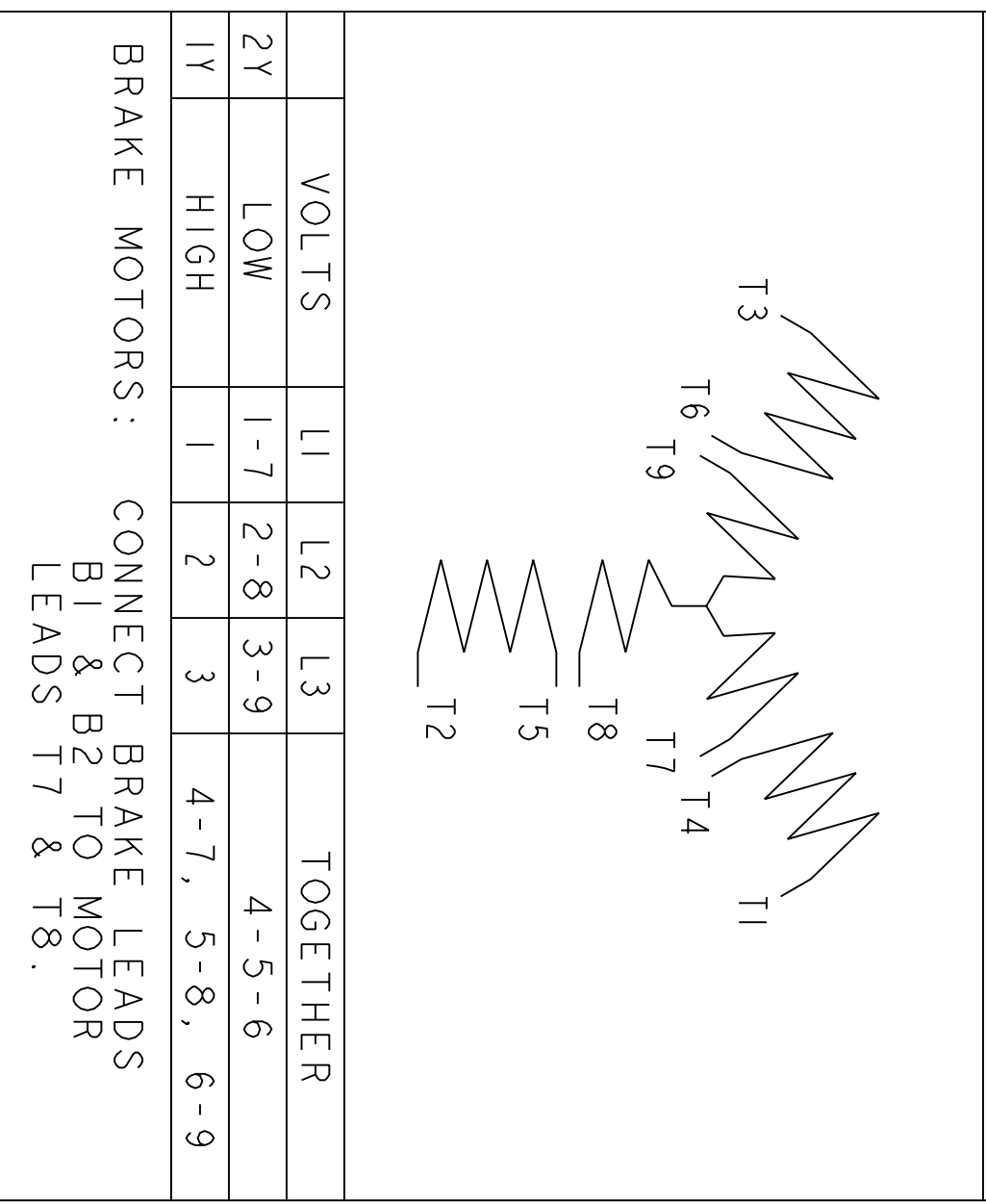


FIG. 2 3 PHASE



FOR ADDITIONAL INFO REFER TO:		SIGNATURES		DATE
APPLIED PRACTICES	MODEL	M.D. PAPE		02/23/03
DIMENSIONS ARE IN INCHES				
TOLERANCE ON:				
1 PL DECIMALS ± 0.1				
2 PL DECIMALS ± 0.02				
3 PL DECIMALS ± 0.005				
ANGLES ± 1.0				
FRACTIONS ±				
FINISH	QUALITY	M.D. PAPE		02/23/03
MATERIAL	ISSUED			
SOLID MODEL: 113A930F162				

REGAL-BELOIT CORPORATION

CONNECTION DIAGRAM

SIZE: DRAWING A

SCALE: 1.000 REF. No: .

113A930FIG2

REV 2

SHEET 1 of 1